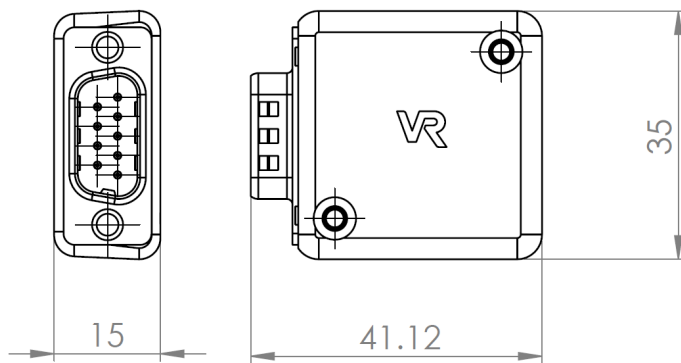


## Introducing the TGC

The TGC converts two independent tachometer-generator sinusoidal outputs to digital zero-to-five-volt levels allowing EFIS systems (like the Garmin G3X) to read and display these speeds.

Tachometer-generators are used on gas-turbine engines to measure the speeds of various shafts like N1 and N2.

## Dimensions



## Pin-out

PIN	DIR	DESCRIPTION
1	IN	POWER
2	IN	TACH #1 IN A
3	IN	TACH #2 IN A
4	IN	TACH #1 IN B *
5	IN	TACH #2 IN B *
7	OUT	TACH #1 OUTPUT
8	OUT	TACH #2 OUTPUT
9	GND	GROUND

\* internally connected to ground



## Specifications

PROPERTY	VALUE
Dimensions	41.12 x 35 x 15mm
Weight	25 gram
Operational voltage	7 - 40 VDC
Temperature range	-55 - +85 °C
Maximum operating altitude	55,000 feet
Input frequency range	0 - 100 Hz
Input voltage range	0.1 - 150 Vpp
Output current	± 20 mA

## Typical Connection

